

Handle Assembly

Handle Parts

- 1 HandleBar
- 2 Vertical Support

- 4 #10 Carriage Screw
- 4 Plastic Retain Washer
- 4 #10 Nut

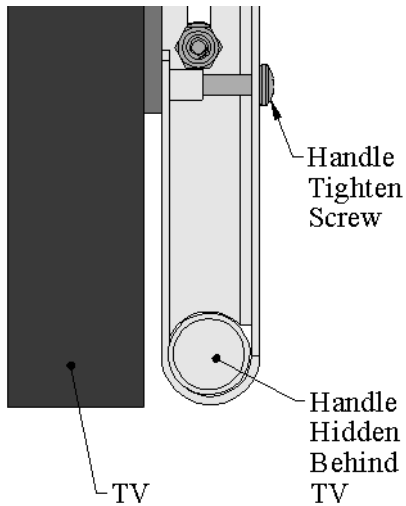


Figure A Side View of Handle Hidden

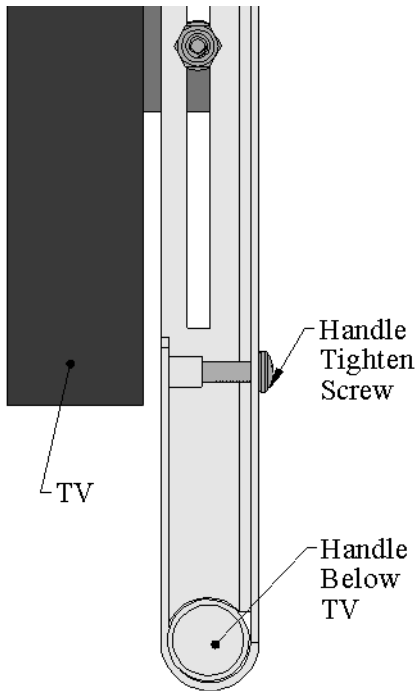


Figure B Side View of Handle Shown

Handle Install

Figure C shows how to install the Handle. We recommend laying everything out on the ground to figure out exactly how things fit together before attaching the mount to the wall. The handle is designed to stay hidden (Figure A) or shown (Figure C). The handle does not work with a soundbar bracket below the TV.

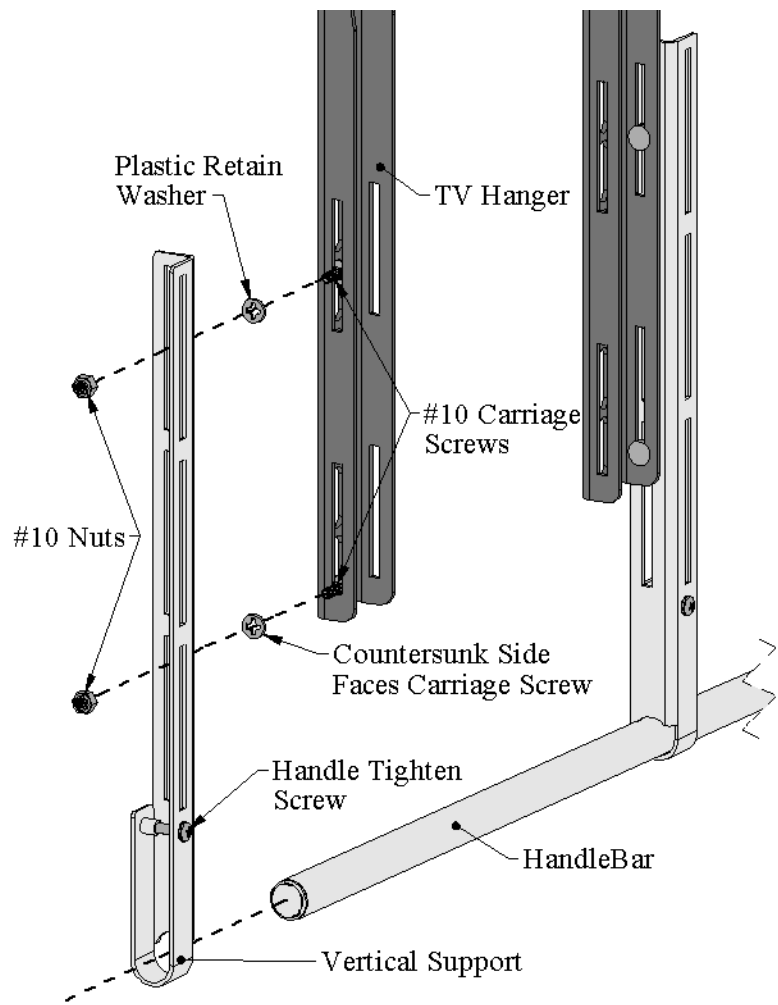


Figure C Handle Assembly