

Down and Out Rough-In Box Installation Directions

- These instructions are to be used in conjuncture with the standard version of the manual to install a mount.
- The Addendum and the standard version of the manual need to be read fully for safe, secure and correct mounting.
- If the Addendum and the standard version give contradictory info, assume the information in the Addendum is accurate.
- If this Addendum does not specifically cover something, then the standard version probably does.

Important: The Rough-In Box is NOT UL Listed but most of the components used are the same as our UL listed mounts.



CAUTION: This wall mount is intended for use only with the maximum weight of 125 lbs. Use with heavier than the maximum weights indicated may result in instability causing possible injury.

ATTENTION: Ce support mural est destiné à être utilisé uniquement avec le poids maximum de 56.7 kgs. Utiliser avec plus lourds que les poids maximaux indiqués peut entraîner une instabilité et provoquer des blessures.

Specifications

- Attaches to 2 studs, spaced 16" apart, that are centered on the centerline of the TV
- **Note for smaller televisions;** the mount may be wider or taller than the television. If this is the case then the mount may be visible in the top position. See Figure 1
- Handles televisions up to 125 lbs
- Product Dimensions: 27.63 x 15.8 x 3.5 inches. See Figure 1
- Product Weight: 14.2 pounds

FAQ

- **Where do I mount over a shelf?**
 - If the shelf depth and/or TV size are unknown it is recommended to mount 10" above the top of the shelf
 - If the shelf depth and TV are known, see the Above Shelf Mounting section on page 5.

Rough-In Box Differences from on wall mounts

- The Rough-In Box is taller than the on wall mounts. A taller TV is needed to cover the box in the top position, at least 27.63" tall.
- The Rough-In Box has a reduced Shelf Clearance, See the Above Shelf Mounting section on page 5. Do NOT use the Above Shelf Mounting section in the mount manual.
- The Rough-In Box only works with the Swivel version of the Down and Out, and Down and Out Motor Mounts. It does not work with the Fixed.
- With the Down and Out Swivel, only the Center Swivel can be used.
- Since the Rough-In Box gets the mount so close to the wall, the speaker bracket cannot go back as far.
- For the most part the directions for the on wall mount, can be used for attaching the mount into the Rough-In Box

Tools Needed

- Drywall Cutting Tool
- 9/16" box or ratchet wrench
- 1/4" Drill Bit
- Drill
- Tape Measure
- Stud Finder
- Level
- Phillips Screwdriver

Parts Included

- 1 Down and Out Rough-In Box
- 1 Rough-In Cover
- 2 5/16" x .625" Carriage Bolt
- 2 5/16" Locknut

Various Items (All in One Bag)

- 4 3/8" x 1.75" Lag Screw with Washer
- 4 #10 x 1.5" Screw
- 4 Zip Ties
- 4 Lag Screw Cover
- 4 Washer for Lag Screw Cover

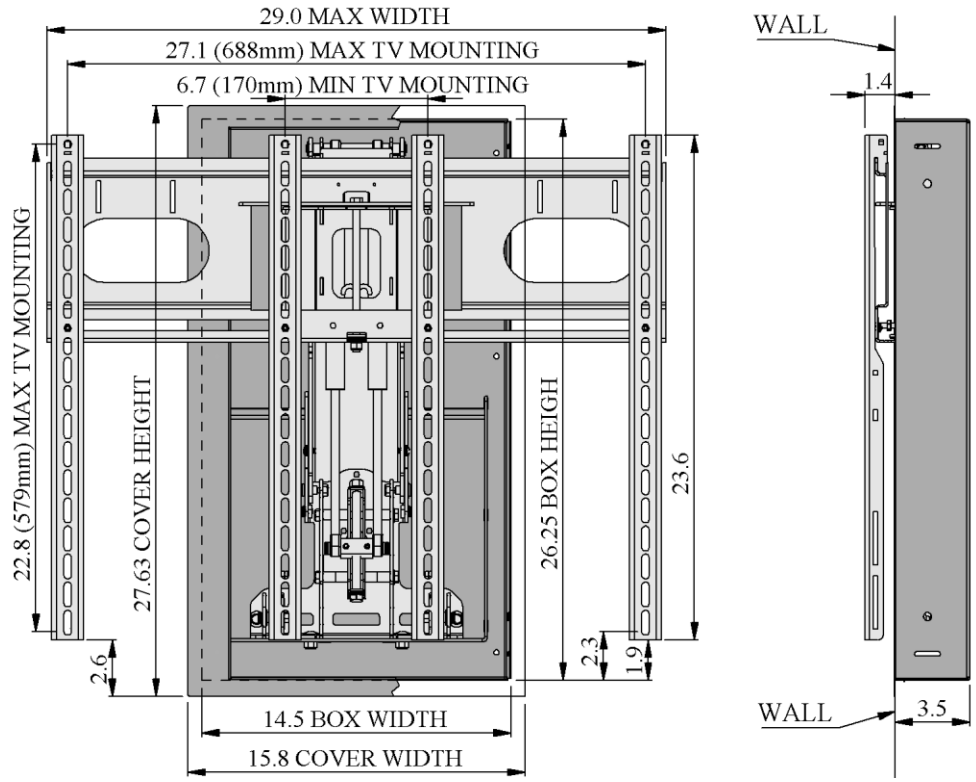


Figure 1, Mount Overall Size, Television Mounting Hole Pattern Range, Wall Mounting Hole Pattern Range
 Note: Mount Only Comes with 2 television Mounting Arms, Not the 4 Shown

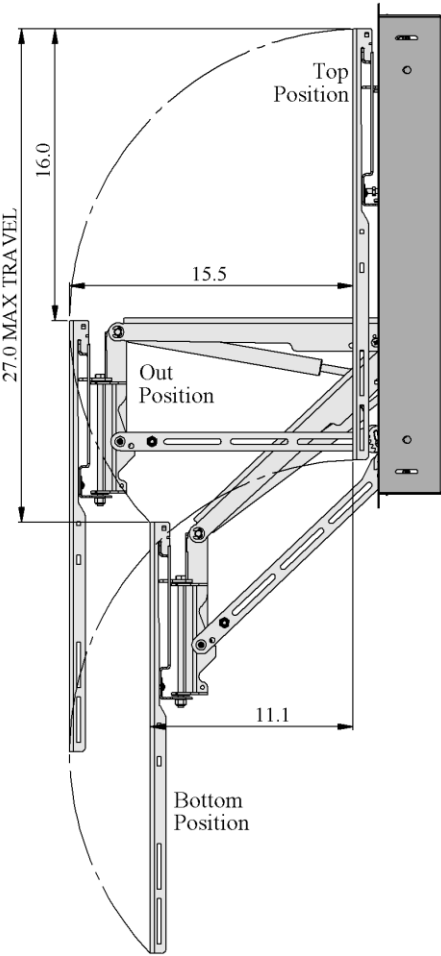


Figure 2, Vertical in Top Position

Vertical tolerance in Out and Bottom Positions is +/-1 degree.

Install Video at www.DynamicMounting.com/Install

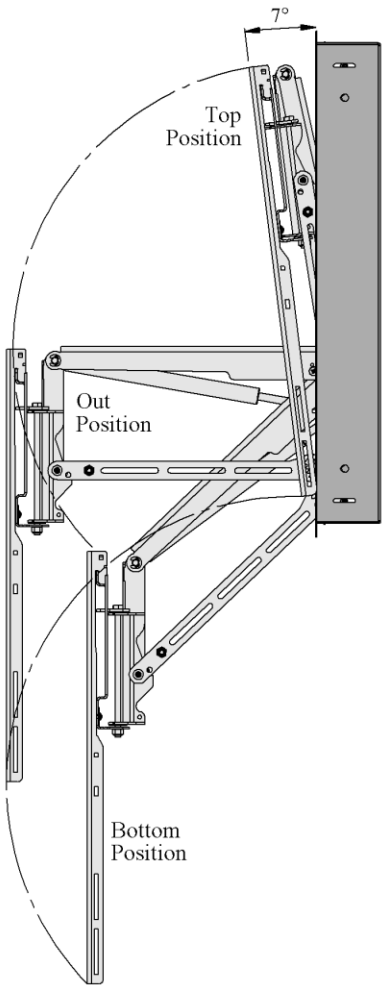


Figure 3, Max Tilt (7 Degrees) in Top Position

Installation for Framers

CAUTION: These wall mounting instructions and hardware are for mounting to wood studs only. It is up to you to verify that the material supplied will work for your setup; other materials may need to be purchased by you. For concrete, brick or other mounting materials consult an expert.

Stud Placement

1. **Important:** The studs need to be installed in the correct location to ensure the mount will be centered on the TV.
2. For the correct stud location, find the vertical centerline of the TV, and then put a stud 8" to the left and the right on-center.
3. The Rough-In box is designed to attach to 2 wood studs spaced 16" apart on-center.
4. Figure 6 shows how the studs, Rough-In box, shelf, mount, and TV all relate to each other.

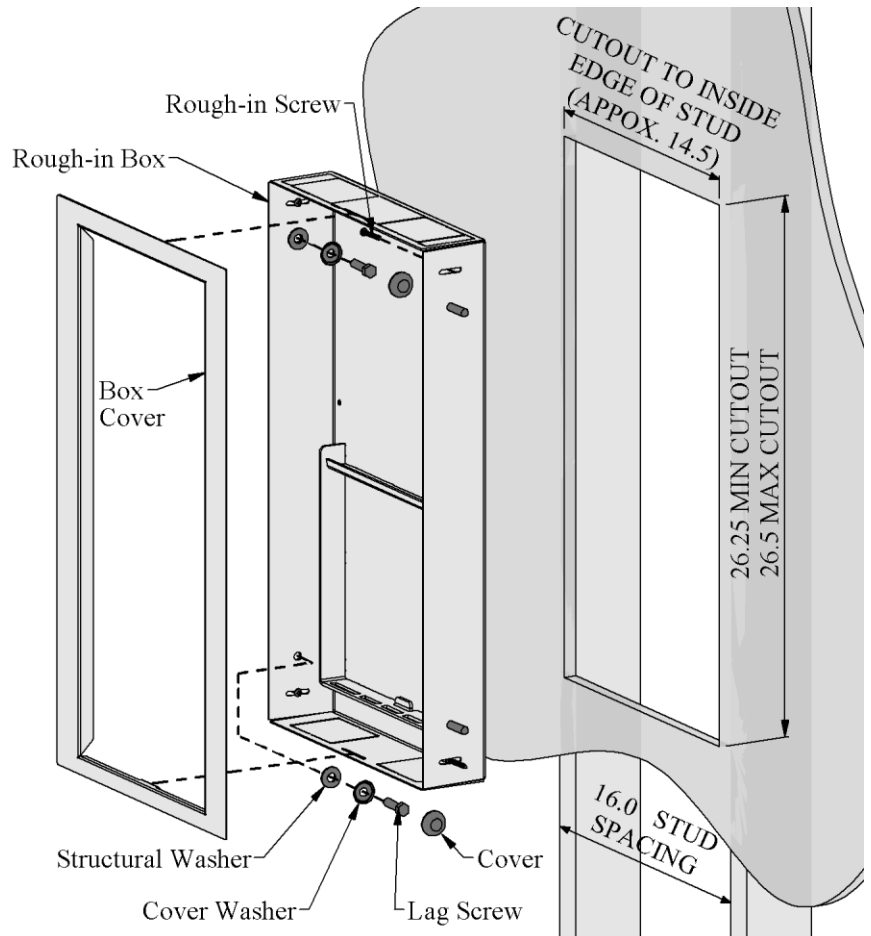


Figure 4, Attaching to Wall

Framers Install

1. If the TV model and shelf depth are known when framing, the Above Shelf Mounting section can be referenced to determine the best height to attach the Rough-In box.
2. If the TV model and Shelf depth are unknown, we recommend attaching the bottom of the Rough-In box 10" above the top of the shelf.
3. Install the Rough-In box so after drywall is added, the Rough-In box will be flush.
4. Use the Rough-In Screws in the middle of the slots to attach to the inside of the studs.
 - o The AV installer will use the lag screws when installing to permanently set the position.
5. Attach the Rough-In Cover by fitting in the bottom and snapping in the top.
6. Leave the remaining hardware and Instructions in the box for the AV installer.

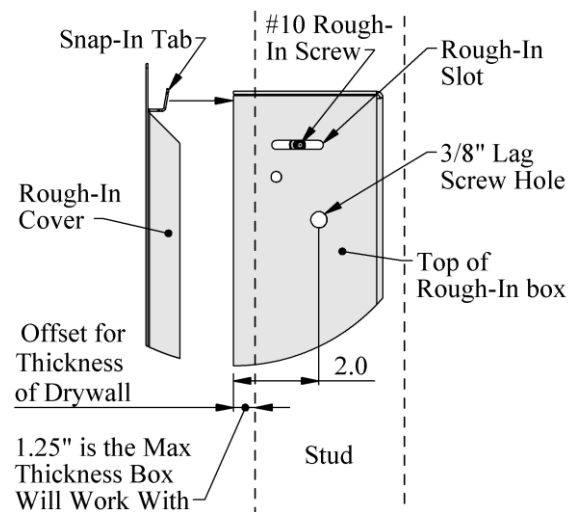


Figure 5 Side View of Rough-In Install

Rough-In Box Final Install and Assembly

Consult your TV's owner manual before mounting your television, it contains relevant information.

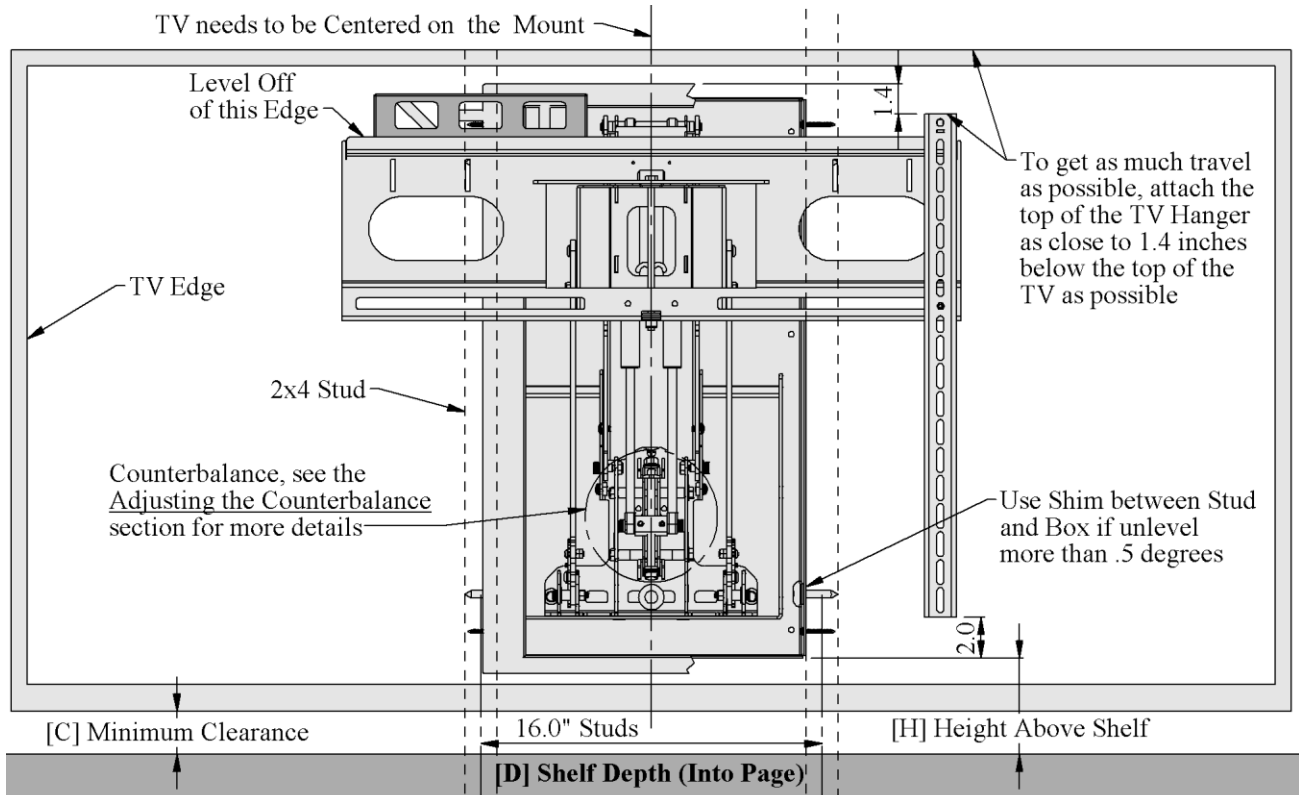


Figure 6, Positioning Mount on the Wall

Determining Where to Put Mount

1. Figure 6 shows the important things to look for and measure.
2. Extra thought and planning is needed when mounting over a shelf; see the Above Shelf Mounting on page 6 for more details and relevant dimensions. Find the needed distances [H] and [C] for your shelf depth [D].

Important: The TV needs to be centered on the mount to avoid leaning

Conditions for Mounting to Wall

1. Figure 4 and Figure 6 show how the mount gets laid out in the wall.
2. The television should be centered on the mount, if not the television will sag to one side. The heavier the TV and the more off center, the more unlevel the TV will be through its range of motion. If your stud placement doesn't allow for the TV to be centered, you will need to change the stud configuration.
3. The mount is designed to attach to standard 2 x 4 or larger wall studs spaced 16in apart. If the wall isn't sturdy enough then more support will need to be added, consult an expert.
4. The Center of the TV should be centered between the 2 16" studs as shown in Figure 6.
5. Between the 2 16" studs, there needs to be space for a 26.25" Tall x 14.25" Wide x 3.7" Deep box to fit.
6. The mount must be securely fastened to a structure that can support 4 times the total weight of the television and mount. Dynamic Mounting assumes no responsibility for damage from an improperly installed mount.
7. 4 3/8" lag screws, 2 up top and 2 at the bottom, are needed to secure the mount. Do NOT use only the Rough-In screws.

Installing Rough-In Box

Note: The person installing the mount should be a competent person with experience mounting load bearing assemblies.

1. Once you know your location, draw a 26.25-26.5" tall by up to the inside of the stud (about 14.5") wide rectangle.
2. Cut a hole along the lines.
3. Put the Mount in the hole, use the Rough-In screws to hold in place.
4. Adjust the box so that the front is flush with the wall, test fit the cover, it should fit in both slots and flush against the wall.
5. Pre-drill through the 3/8" Lag Screw Hole using the 1/4" drill bit.
6. Figure 4 shows the correct order to put on the lag screw.
7. Use a 9/16" wrench to install the lag screws and tighten until the box is firmly pressed against the wall. Do NOT over tighten.
8. Ensure the mount is level, if not add shim between the box and stud as shown in Figure 6.
9. Install the lag screws and tighten until the mount is firmly pressed against the wall. Do NOT over tighten.

Installing the Mount into the Box

Use the manual that came with the mount for the remaining steps, the Rough-In box is the frame.

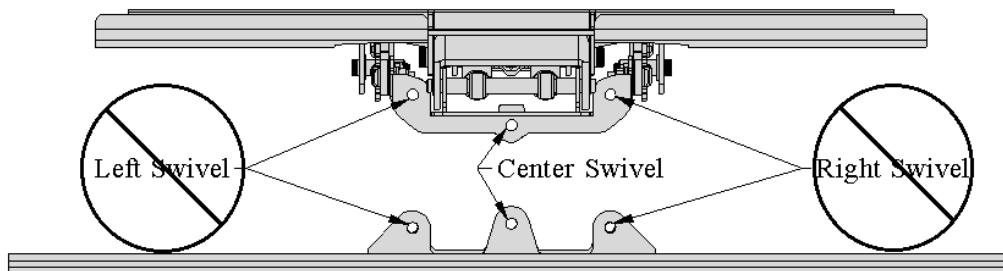


Figure 7, Only the Center Swivel Works with the Rough-In box.

Above Shelf Mounting

To get the lowest possible bottom position when mounting above a shelf, it is very important that you put extra thought into the mounting process. The Mount can clear shelves up to 13" deep.

The TV Clearance Table shows the minimum clearance [C] needed between the shelf top and the bottom of the TV (or the bottom of an attached speaker, whichever is lower) for the mount to swing around the shelf. To find the clearance needed, find the shelf depth [D], in this example 8", and go down the column and find the corresponding minimum clearance height [C], which is 3". Figure 6 shows where to measure [C] and [H].

Figure 8 and the Mount Travel Table shows you how much downward travel you will get with different shelf depths and heights above the shelf. For example, to find the downward travel [T] when you have an 8" shelf depth [D] and you attach the bottom of the recess box 8" above the shelf [H]. First find the corresponding [D] and look down the column and find the closest [H], which in this case is 7.75". Now go left along the row and find the corresponding Travel [T]. In this case you will get a downward travel of approximately 27".

Tips to get the lowest possible bottom position

- Get the top of the mount and the top of the TV to be as close as possible.
- Typically you'll get the lowest bottom position by being near the minimum clearance shown in the TV Clearance Table.
- Getting the most travel possible out of the mount, doesn't mean you'll get the lowest possible bottom position.
 - For example, for a 10" shelf, to go from 24" of travel, to 26" of travel, you have to raise the mount up 5". So your new bottom position is actually 3" higher.

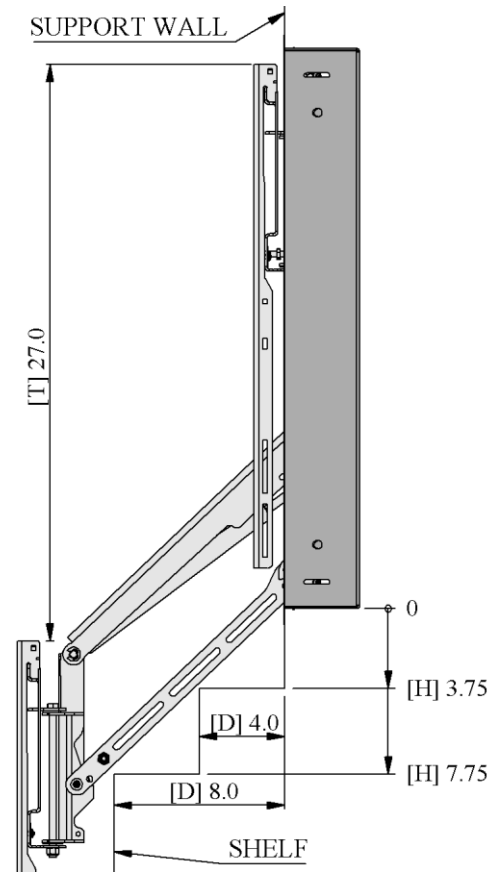


Figure 8, Shelf Clearance Drawing

TV CLEARANCE TABLE (OR SPEAKER/SOUNBAR CLEARANCE, WHICHEVER IS LOWER)

[D] SHELF DEPTHS (IN) (BOLD NUMBERS)															
0	1	2	3	4	5	6	7	8	9	10	11	12	13	14	15
0	0.25	0.5	0.75	1	1.5	1.75	2.5	3	3.75	4.5	5.5	6.75	8.25	-	-
[C] MINIMUM CLEARANCE NEEDED BETWEEN SHELF TOP AND TV BOTTOM IN TOP POSITION (IN)															

27 (IN) IS THE MAXIMUM POSSIBLE DOWNWARD TRAVEL

ALL MEASUREMENTS ARE APPROXIMATE, 13 (IN) IS THE MAX SHELF DEPTH THE MOUNT WILL WORK WITH

- MEANS IT IS POSSIBLE, BUT YOU WILL NOT GET ANYMORE DOWNWARD TRAVEL

MOUNT TRAVEL TABLE (DOWNWARD TRAVEL OF MOUNT VS. HEIGHT AND SHELF DEPTH)

		[D] SHELF DEPTHS (IN)														
		0	1	2	3	4	5	6	7	8	9	10	11	12	13	14
[T] DOWNWARD TRAVEL OF MOUNT (IN)	27	0	0	2	3	3.75	4.75	5.75	6.75	7.75	10	12	-	-	-	-
	26	0	0	1.25	2	3	3.75	4.5	5.25	6.25	7	10	11.5	-	-	-
	24	0	0	0	1	1.5	2	2.75	3.25	3.75	4.5	5	8	10	-	-
	22	0	0	0	0	0	0.75	1.25	1.75	2	2.5	3	3.25	5.5	7.5	-
	20	0	0	0	0	0	0	0	0	0.5	0.75	1	1.25	1.5	4	-
		[H] HEIGHT RECESS BOX IS ABOVE SHELF (IN) (UNBOLDED NUMBERS)														

Wire Management

Electrical Knockouts are provided above and below the mount for easy in wall wire routing as shown in Figure 9. To get the knockouts to work, you will need the following items which are not included;

1. Old Work Single Gang Brackets
 - Make sure they can clamp down to .075”.
2. Outlets
 - Put the outlet that sticks up more on the side that has more clearance
3. Small Cover Plates

Consult a professional if you don't have any experience working with electrical systems.

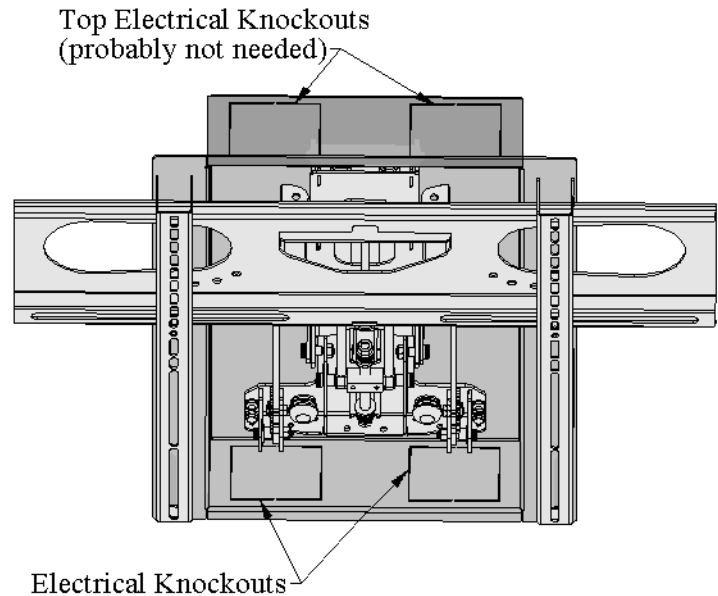


Figure 9, Electrical Knock Outs

Lifetime Limited Warranty

The lifetime warranty covers all components besides powered components and gas springs. The power components and gas springs are guaranteed to be free of defects for a period of 5 years. The warranty period begins on the original date of shipping. The limited warranty is intended only for the original purchaser.

The warranty will be void if the mount is modified in any way or not installed correctly, including overloading, abuse, or use for any purpose other than specified in our directions. The Limited Lifetime Warranty is for indoor use. For outdoor use we Warranty the mount function for 5 years. Dynamic Mounting is not liable for any damage or injury caused from the use of or the inability to use our mount. To the maximum extent permitted by applicable law, Dynamic Mounting disclaims any responsibility for incidental or consequential damages.

Dynamic Mounting LLC, www.DynamicMounting.com

U.S. PATENT NO. 8724037, 9625091, www.DynamicMounting.com/patent