

Wall Support Installation Directions

ATTENTION!!

Mounting the Wall Support correctly takes a lot of thought and a lot of planning. Please read the directions thoroughly and plan out how the mount would be installed best for your use. Each Setup will be different and these directions can not account for every situation. Failure to do so may result in Damage, Injury, or Death. Dynamic Mounting is not responsible for any damage, injury, or death resulting from improper mounting or use of the Wall Support.

These instructions are only a guide and the consumer is responsible for correct and secure mounting. The person installing the mount should be a competent person with experience mounting load bearing assemblies. For any questions or concerns, please contact Dynamic Mounting at Info1@DynamicMounting.com.

The Wall Support are rated for a max load of 120 LBS attached to one of Dynamic Mounting's TV mounts, Do NOT exceed.

The Wall Support is designed for use with Dynamic Mounting's Line of TV mounts. Do not use The Wall Support with anything else. Use these directions in conjunction with the TV mount manual.

Specifications

- Handles televisions up to 120 lbs attached to Dynamic Mounting's line of mounts.
- Product Dimensions: 34.4 x 2.56 x .46 inches. See Figure 1.
- Product Weight: 3.5 pounds each, 2 per Assembly

CAUTION: These wall mounting instructions and hardware are for mounting to wood studs only. It is up to you to verify that the material supplied will work for your setup; other materials may need to be purchased by you. For concrete, brick or other mounting materials consult an expert.

Consult your television's owner manual and TV mount manual before mounting your television, it contains relevant information.

Tools Needed

- 9/16 inch box or open ended wrenchs. A ratcheting socket wrench makes the job easier
- 1/4 inch Drill Bit
- Drill
- Tape Measure
- Stud Finder
- Level
- A friend or 2, depending on how heavy your television is

Fasteners for Mounting the TV Mount to the Wall Support

- 8 3/8in x .75in Long Carriage Bolts
- 8 3/8in Nylock Nuts
- 14 3/8in Washers
- 6 3/8in x 3.5in Long Lag Screws

Bolt Cover

- 14 Bolt Covers
- 14 Bolt Cover Washers

Parts Included

- 2 Wall Supports

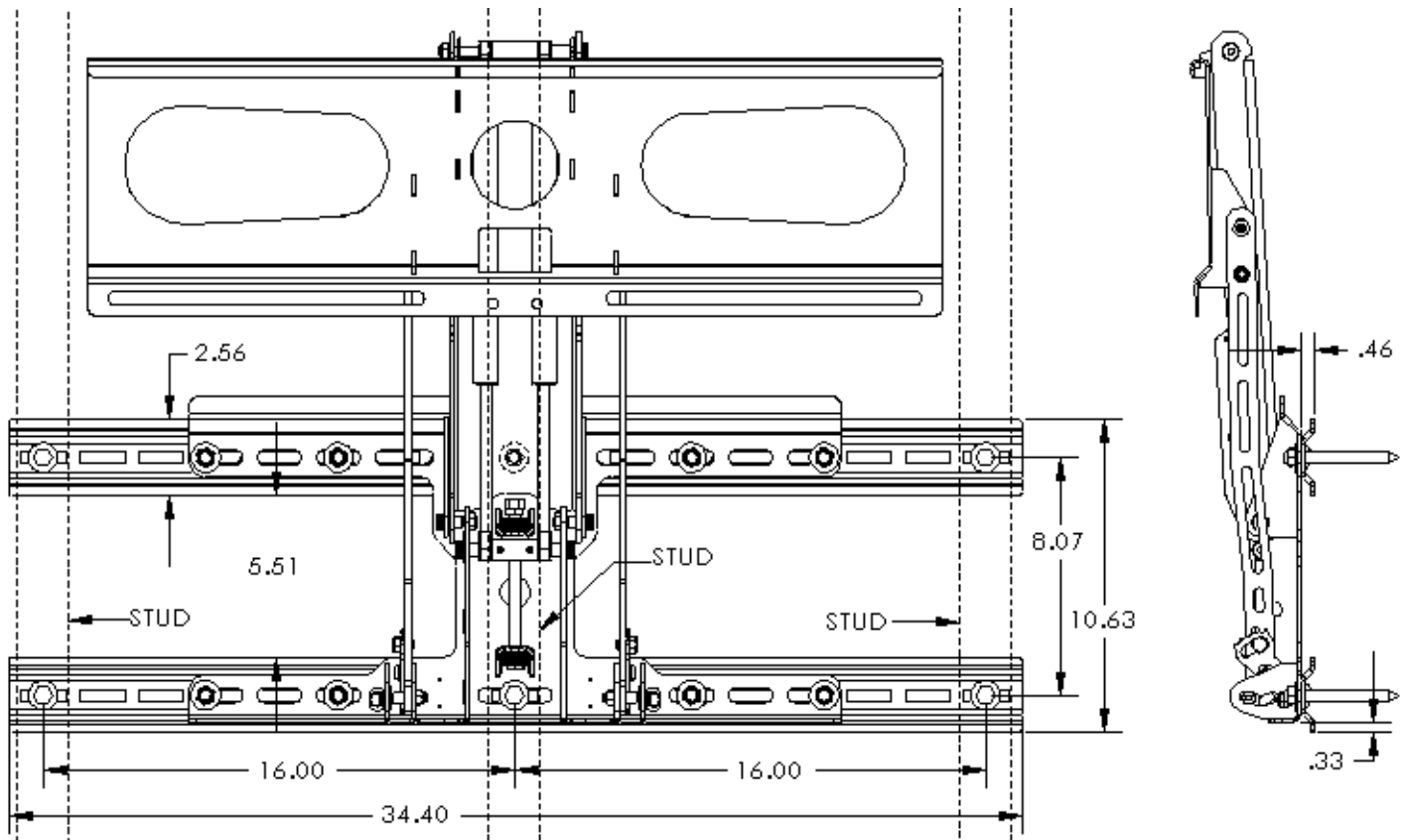


Figure 1 Down and Out Mount Centered On Wall Support

Preparing Wall for TV Mount and Wall Support

1. The mount and Wall Support are designed to attach to 3 standard 2in x 4in or larger wall studs spaced 16in apart. If the wall isn't sturdy enough then more support will need to be added, consult an expert.
2. The mount and Wall Support must be securely fastened to a structure that can support 4 times the total weight of the television and mount. Dynamic Mounting assumes no responsibility for damage from an improperly installed mount.
3. To get the mount in the correct position for your use you will need to consult the TV mounts manual and figure out where the TV mount should go before doing anything with the Wall Support.
4. To find out how the mount relates to the Wall Support you should do a test fitting on the ground.
5. Use a stud finder to find the center of the 3 studs
6. Mark where the 6 holes will be drilled, the distance between the top and bottom set of holes should be 8.07 inches (8 inches is close enough), see Figure 1 for more details
7. Once you know your location pre-drill the 6 mounting holes 2.5in deep using the 1/4in drill bit.

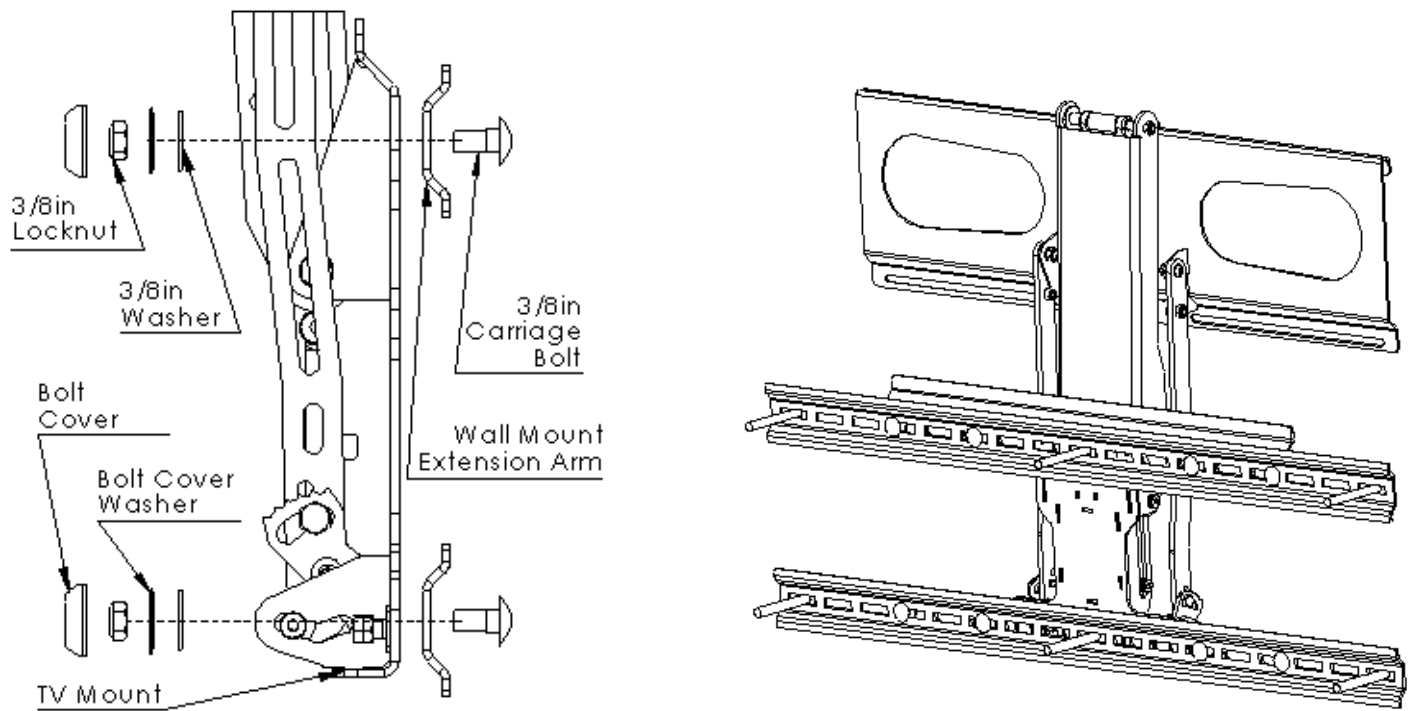


Figure 2 Wall Support Assembly

Mounting TV Mount and Wall Support

8. There are 2 ways to mount the Wall Support:

- The first way is to mount the Wall Support to the mount and then attach everything to the wall together.
- The second way is to mount the Wall Support to the Wall and then attach the TV to it, when you do it this way be sure to put the 8 carriage bolts in the correct slots of the Wall Support before tightening it on the wall.

9. To attach the Wall Support to the mount, put the 8 3/8in carriage bolts through the back of the Wall Support and through the mount as shown in Figure 2. Screw everything together with the 3/8in washer, Bolt Cover Washer, and 3/8in Locknut. Use a 9/16in box or socket wrench to tighten everything together. Maybe only tighten 2 bolts at first in case the level needs to be adjusted.

10. Use the 6 3/8in lag bolts with 3/8in washers and Bolt Cover Washer to attach the Wall Support and Mount to the wall. Tighten with a 9/16in box or socket wrench until the mount is firmly pressed against the wall. A friend makes this much easier. Do NOT over tighten.

11. When the TV mount overlaps a stud the lag screw needs to go through both the TV mount and the Wall Support

12. If you have a stud that is centered on the mount and cannot access because the main support arm of the mount is up (this situation is shown in Figure 1) the following is what you do.

- First bolt everything else up to the wall, you should be able to get 5 of the 6 lag screws in.
- Follow the directions in the "Adjusting the Counterbalance" section of the TV mount manual so that the counterbalance block can be moved up all of the way up to get the minimum counterbalance force.
- Articulate the mount down so that the upper slot can be accessed.
- Drill and put the lag screw in while holding down the mount.

13. Sometimes it may not be possible to get all 3 lag screws in the bottom row of the slots (this situation is shown in Figure 3). The bottom set of lag screws do not see nearly as much force as the top set, this means that using only 2 lag screws on the bottom will support the maximum load just fine. You need all 3 lag screws on the top though; do NOT skip a lag screw on the top.
14. When everything is tightened, press the Bolt Covers onto the Bolt Cover Washers, this will help the fasteners blend in with the rest of the mount.

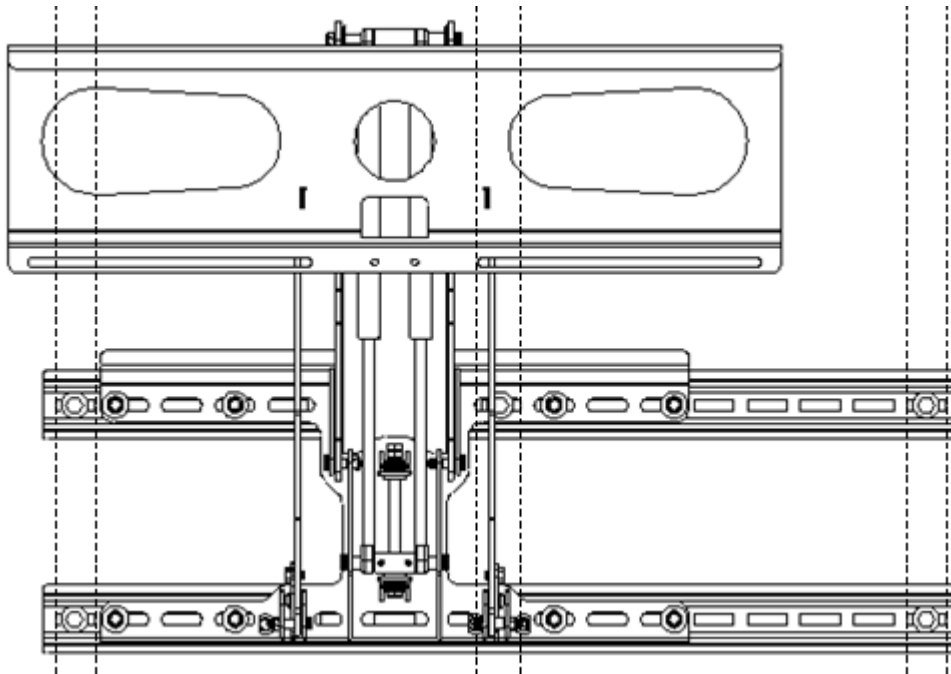


Figure 3 Down and Out Mount Offset On Wall Support

Warranty

Dynamic Mounting guarantees the Wall Support to be free of defects for the product's warranty period of 3 years.

The warranty period begins on the original date of shipping. The limited warranty is intended only for the original purchaser. The warranty will be void if the mount is modified in anyway or not installed correctly, Including overloading, abuse, or use for any purpose other than specified in these directions. The Wall Support are for indoor use only and the warranty will be voided if the Wall Support are used outdoors.

Dynamic Mounting is not liable for any damage or injury caused from the use of or the inability to use our mount. To the maximum extent permitted by applicable law, Dynamic Mounting disclaims any responsibility for incidental or consequential damages.

Dynamic Mounting LLC
www.DynamicMounting.com

If you have any questions, please contact info1@dynamicmounting.com

If you would like to speak to someone please email us your phone number and when we can contact you.