

Center Speaker Bracket Installation Directions

ATTENTION!!

Mounting the Center Speaker Bracket correctly takes a lot of thought and a lot of planning. Please read the directions thoroughly and plan out how the mount would be installed best for your use. Each Setup will be different and these directions can not account for every situation. Failure to do so may result in Damage, Injury, or Death. Dynamic Mounting is not responsible for any damage, injury, or death resulting from improper mounting or use of the Center Speaker Bracket.

These instructions are only a guide and the consumer is responsible for correct and secure mounting. The person installing the mount should be a competent person with experience mounting load bearing assemblies. For any questions or concerns, please contact Dynamic Mounting at Info1@DynamicMounting.com.

The Center Speaker Bracket is rated for a max load of 40 LBS attached to a Dynamic Mount, Do NOT exceed load rating of either.

Specifications

- Handles Center Speakers or Sound Bars up to 40 lbs attached to Dynamic Mounting's line of mounts, make sure the TV mount doesn't get overloaded
- See Page 4 for "Size Restrictions"
- Shipping Dimensions: 36 x 4 x 4 inches
- Shipping Weight: 6.8 pounds. Bracket Weight: 5.5 pounds

Consult your television's owner manual and TV mount manual before mounting it contains relevant information.

Tools Needed

- 3/8" box or open ended wrenchs. A ratcheting socket wrench makes the job easier
- Phillips Screw Driver
- A friend or 2, depending on how heavy your television/speaker setup is.

Fasteners for Bracket (On the Bracket)

- 4 #10 x .5in Carriage Screw
- 4 #10 x 2in Carriage Screw
- 4 #10 Nylon-Insert Locknut
- 4 #10 Wing Nut

Fasteners for Attaching the Center Speaker to the Bracket (In the Plastic Bag)

- 2 #6 Hex Screw
- 2 #6 Flange Nut
- 2 1/4" x 3/4" Long Phillips Screw
- 2 M4 x 20mm Long Phillips Screw
- 2 M5 x 20mm Long Phillips Screw
- 2 M6 x 20mm Long Phillips Screw
- 4 Plastic Spacers
- 2 #10 Washers

Parts Included

- 2 Vertical Support
- 2 Depth Support
- 4 Speaker Hook Arm

Fasteners for Attaching the Bracket to the TV Mount (On the Bracket)

- 2 .25in Flange Nut
- 2 .25in x 2in Screw
- 2 .25in Fender Washer

Tool Included (In the Plastic Bag)

- 1 1/16" Hex L-Key
- 4 Adhesive Backed Rubber Bumpers

1. The Center Speaker Bracket is designed to attach a Center Speaker or Sound Bar to the TV Mount above or below a TV attached to the Down and Out Mount. See Page 4 for "Size Restrictions"
2. The bracket comes assembled for mounting the speaker below the TV.
3. See Figure 2 for mounting the speaker above the TV.
4. It is recommended to layout the TV, Down and Out Mount, Speaker Bracket and Speaker on the floor before drilling holes in the wall. Remember Mantel Clearances still apply for the Speaker.

Adjustments

1. The Speaker Bracket has a lot of adjustment to account for most TV-speaker combinations; it will take careful planning to find the best setup for you. See Page 4 for "Size Restrictions"
2. Horizontal Adjustment is made by moving the Speaker Hook Arms along the TV Mount Hook Plate; it is also possible to angle the Speaker Bracket side to side as needed.
3. Vertical Adjustment is made by removing the #10x2in Carriage Screws as needed and sliding the Vertical Support up and down on the Speaker Hook Arms. For the sturdiest setup keep the Carriage Screws as far away from each other as possible.
4. The Depth Support can be adjusted by loosening the #10 Locknuts with a 3/8in wrench. They can also be swapped around to get more adjustment, see Figure 1 for more details.
5. There are 2 options to attaching the speaker to the bracket;
 - o The first and recommended if possible, is to use a Phillips head screw to thread directly into the back of the speaker. Use the #10 washer if it fits on the screw.
 - o The Second is to use the #6 screw in the TearDrop Slot. Thread the screw in a little ways and then hang the speaker on it. Use the Hex Key supplied to attach (turn the screw counterclockwise to tighten) the speaker to the bracket. Double check that the connection is solid.

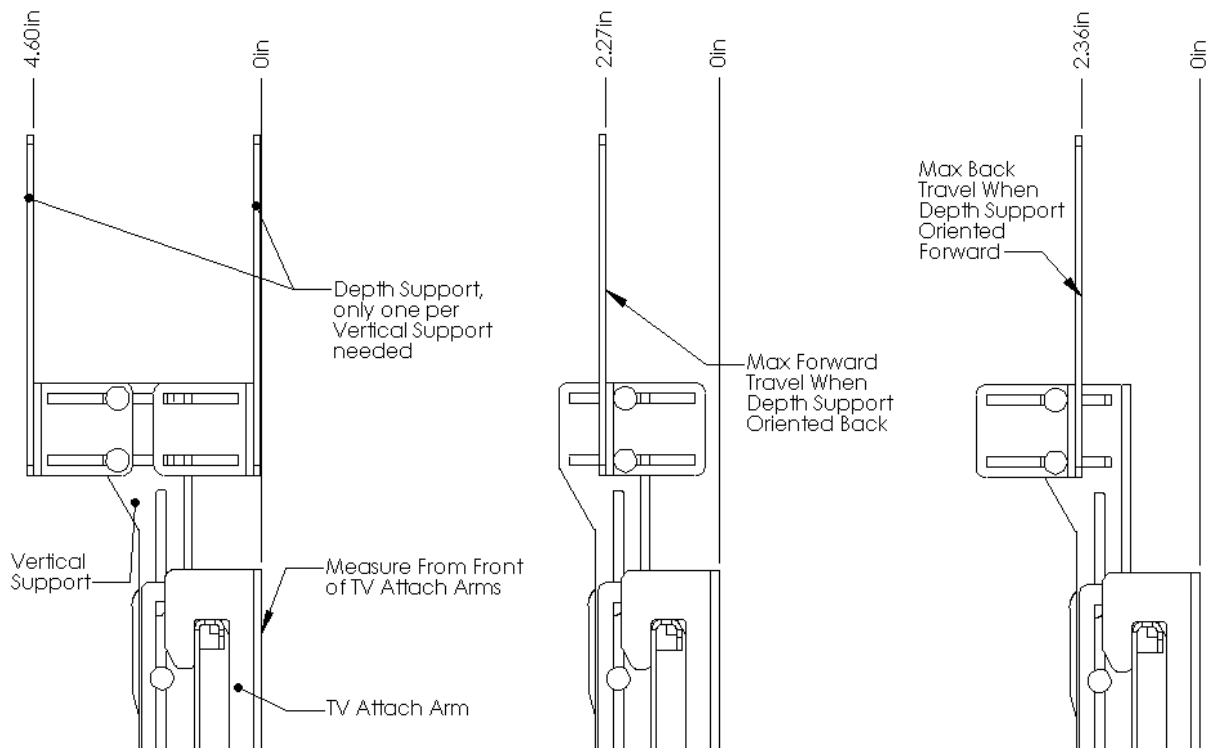


Figure 1 Depth Adjustment

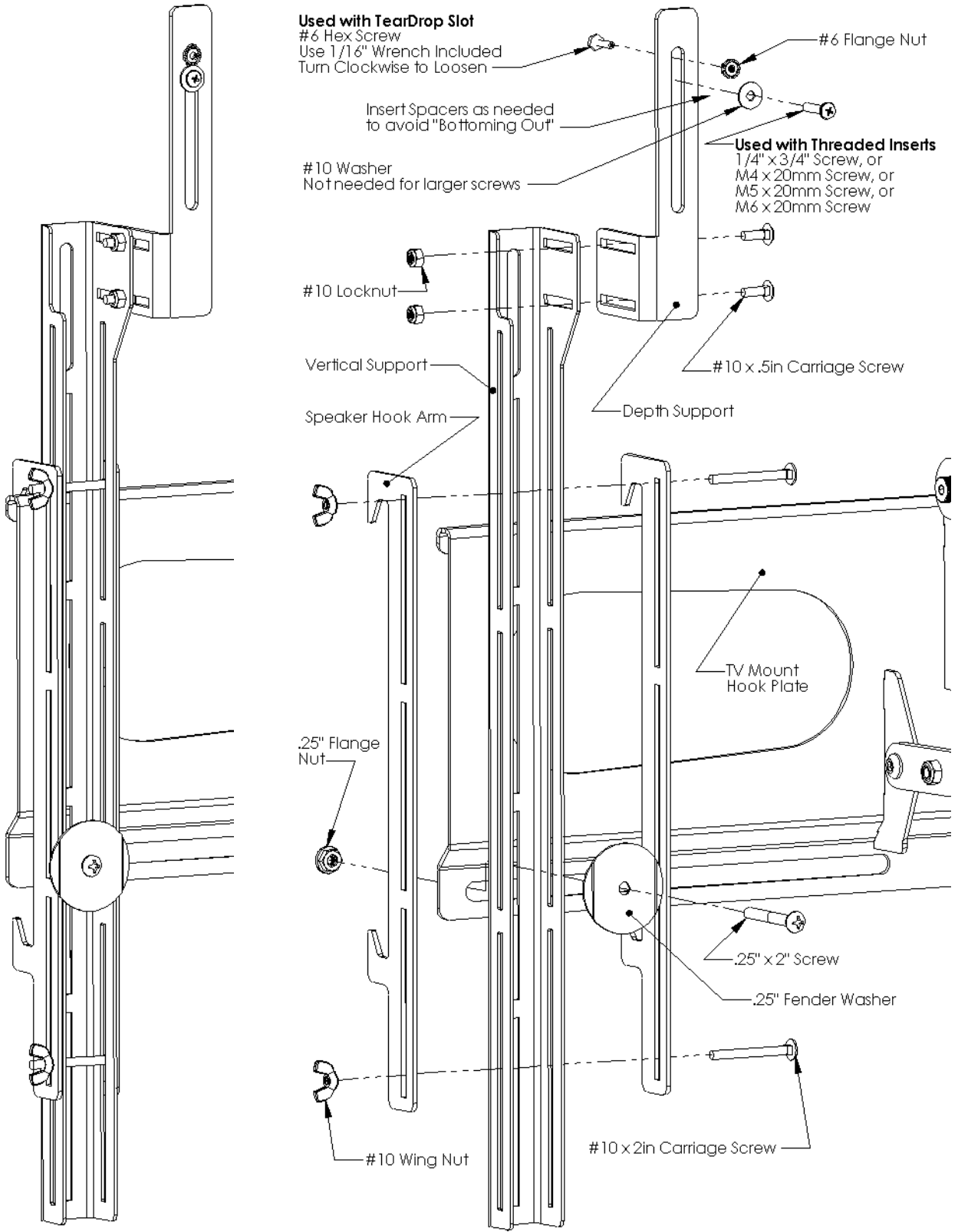


Figure 2 Setup for a Speaker Above the TV

Rubber Bumpers

The mount comes with adhesive backed rubber bumpers that you can use to put between the TV and speaker.

Size Restrictions

The Center Speaker Bracket may not work in these situations

- There is only one attachment hole in the Speaker.
- The distance between the attachment holes in the speaker are 5 inches or less.
- The distance between the attachment holes in the speaker are greater than 31 inches.
- With an Up and Over or an Up and Over Swivel Mount, putting a speaker more than 1 inch thicker than the TV ABOVE the TV.

Notes

- Assembly will probably be a lot easier with 2 people
- The TV mount may be easier to use if you attach the speaker bracket above the TV

Warranty

Dynamic Mounting guarantees the Center Speaker Bracket to be free of defects for the product's warranty period of 3 years.

The warranty period begins on the original date of shipping. The limited warranty is intended only for the original purchaser. The warranty will be void if the bracket is modified in anyway or not installed correctly, Including overloading, abuse, or use for any purpose other than specified in these directions. The Center Speaker Bracket is for indoor use only and the warranty will be voided if they are used outdoors.

Dynamic Mounting is not liable for any damage or injury caused from the use of or the inability to use our bracket. To the maximum extent permitted by applicable law, Dynamic Mounting disclaims any responsibility for incidental or consequential damages.

Dynamic Mounting LLC
www.DynamicMounting.com

If you have any questions, please contact info1@dynamicmounting.com

If you would like to speak to someone please email us your phone number and when we can contact you.